




# FORNO QUATTRO PRO LEGNA

Scheda tecnica / Technical sheet  
cod. FX4PRU-LCOR

## Caratteristiche tecniche / Technical details

<b>Combustibile consigliato</b> <i>Recommended fuel</i>	Ciocchi, potature <i>Logs, trimmings</i>
<b>Consumo medio</b> <i>Average fuel consumption</i>	4,5 kg/h 10 lbs/h
<b>Carica nominale</b> <i>Rated charge</i>	8,3 kg/h 18,3 lbs/h
<b>Dim. piano forno</b> <i>Oven floor dim.</i>	90x60 cm 35,7x23,8 in
<b>Area piano forno</b> <i>Oven floor area</i>	0,54 m <sup>2</sup> 5,81 ft <sup>2</sup>
<b>Peso</b> <i>Weight</i>	240 kg 528 lbs
<b>Temperatura massima</b> <i>Max oven temperature</i>	450°C 752°F
<b>Minuti per scaldare</b> <i>Heating time</i>	30
<b>N° pizze alla volta</b> <i>Pizza capacity</i>	3
<b>Informata di pane</b> <i>Bread capacity</i>	4 kg 8,8 lbs
<b>Tiraggio minimo</b> <i>Minimum flue draught</i>	11 Pa
<b>Flusso volumetrico fumi</b> <i>Flue smokes mass flow</i>	49,6 g/s
<b>Emissioni CO al 13% O<sub>2</sub></b> <i>CO emission at 13% O<sub>2</sub></i>	0,35 % 4444 mg/Nm <sup>3</sup>
<b>Temperatura fumi</b> <i>Smoke temperature</i>	400 °C 675 °F
<b>Colore</b> <i>Color</i>	Corten 



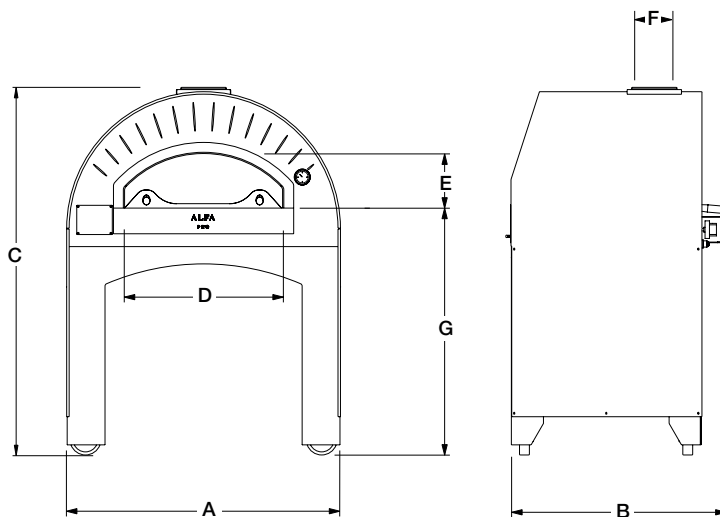
## Materiali utilizzati / Used material:

lamiera ferro, acciaio inox, fibra ceramica  
*sheet iron, stainless steel, ceramic fiber*

## Tipo di refrattario / Type of refractory:

tavella silico-alluminoso  
*tile silico-alluminoso*

## Misure / Dimensions



<b>A</b>	115,0 cm / 45,3 in	<b>E</b>	21,5 cm / 8,5 in
<b>B</b>	89,2 cm / 35,1 in	<b>F</b>	18,0 cm / 7,1 in
<b>C</b>	160,0 cm / 63,0 in	<b>G</b>	110,4 cm / 43,5 in
<b>D</b>	63,0 cm / 24,8 in		

## Componenti / Parts list

	CODICE	N°	DESCRIZIONE
a	SCMB-01-032	1	Cupola camera forno
b	SCMB-03-0211	1	Shield
c	RRA-3020	10	Piano refrattario 30x20x3
d	SQUA-01-149	1	Sportello
g	SSML-01-054	1	Davanzale
h	SSML-01-058	1	Arco
i	SCRT-01-031	1	Carter
l	YT63-135	1	Termometro
m	YR3DT	4	Ruote
n	XFR4PG	1	Fermaruota
o	FCGSB602515	6	SIPOREX 790x600x100
o	FCGSB602515	1	SIPOREX 100x600x100
p	SCMB-01-035	1	Vasca camera forno
q	SQUA-01-014	1	Flangia
r	SBAS-01-029	1	Base

