

ALFA



QUICK 6 PIZZE

Data Sheets - Scheda Tecnica



GAS VERSION

| COLOUR Colore | CODE Codice | |
|------------------|----------------|---------------|
| Silver Grey | LPG | FP-Q6P-BG-GRI |
| | N. GAS | FP-Q6P-BM-GRI |
| Black | LPG | FP-Q6P-BG-NER |
| | N. GAS | FP-Q6P-BM-NER |
| Antique Red | LPG | FP-Q6P-BG-ROA |
| | N. GAS | FP-Q6P-BM-ROA |
| Blue | LPG | FP-Q6P-BG-BLU |
| | N. GAS | FP-Q6P-BM-BLU |
| Sideral Green | LPG | FP-Q6P-BG-VES |
| | N. GAS | FP-Q6P-BM-VES |
| Copper | LPG | FP-Q6P-BG-RAM |
| | N. GAS | FP-Q6P-BM-RAM |

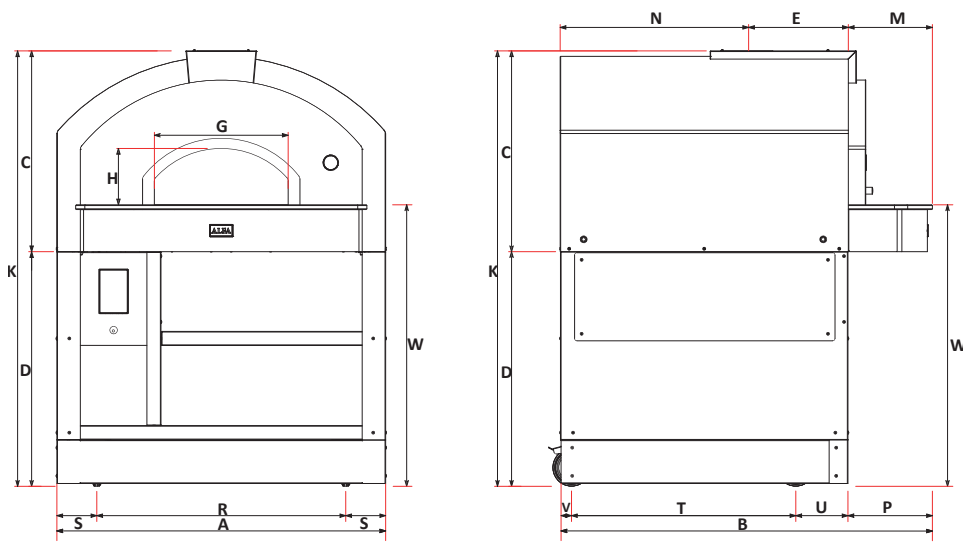
| | |
|--|--|
| Weight Peso | 549 kg 1210,3 lb |
| Cooking floor Piano Cottura | 120x110 cm 47,2x43,3 in |
| Max oven temperature Temperatura massima | 500°C 932°F |
| Heating time Minuti per scaldare | 70' |
| Pizza capacity Numero Pizze | 6 Ø33cm |
| Heat capacity Potenza nominale | 34 kW - 116012,82 BTU |
| Smoke temperature Temperature fumi | 410°C 770°F |
| Volumetric flow Flusso volumetrico | 28,92g/s |
| Suction flow rate Portata aspirazione | 60 m³/h |

| | | |
|--|---|------------|
| Materials Materiali | Stainless Steel, iron sheet, Ceramic fiber Acciaio inox, lamiera ferro, Fibroceramica | |
| Type of refractory Tipo di refrattario | Alumina silicate HeatKeeper™ Firebrick Tavella HeatKeeper™ silico-alluminoso | |
| Electrical data | | |
| 220-240V | 50/60HZ | 30W |

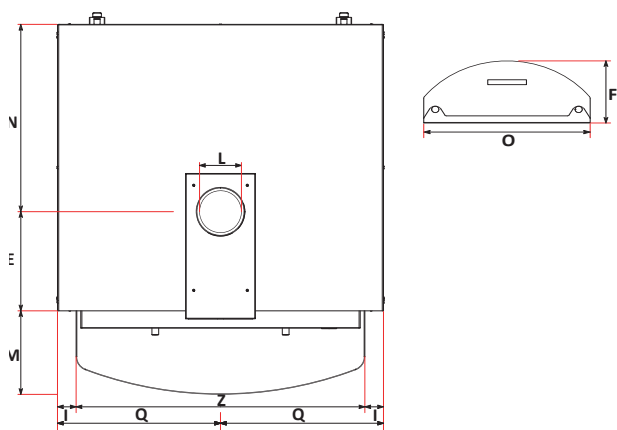
| Recommended fuel Combustibile consigliato | LPG gas G30/G31 Gas GPL G30/G31 | Natural Gas G20 Gas Metano G20 |
|---|---|--|
| Gas category Categoria gas | I3+GPL | 12H METANO |
| Operation Funzionamento | 28..30/37mbar - 11W.C. | 20mbar - 4 W.C. |
| Max consumption Consumo Massimo | 3 Kg/h | 2,98 mc/h |



Made in Italy

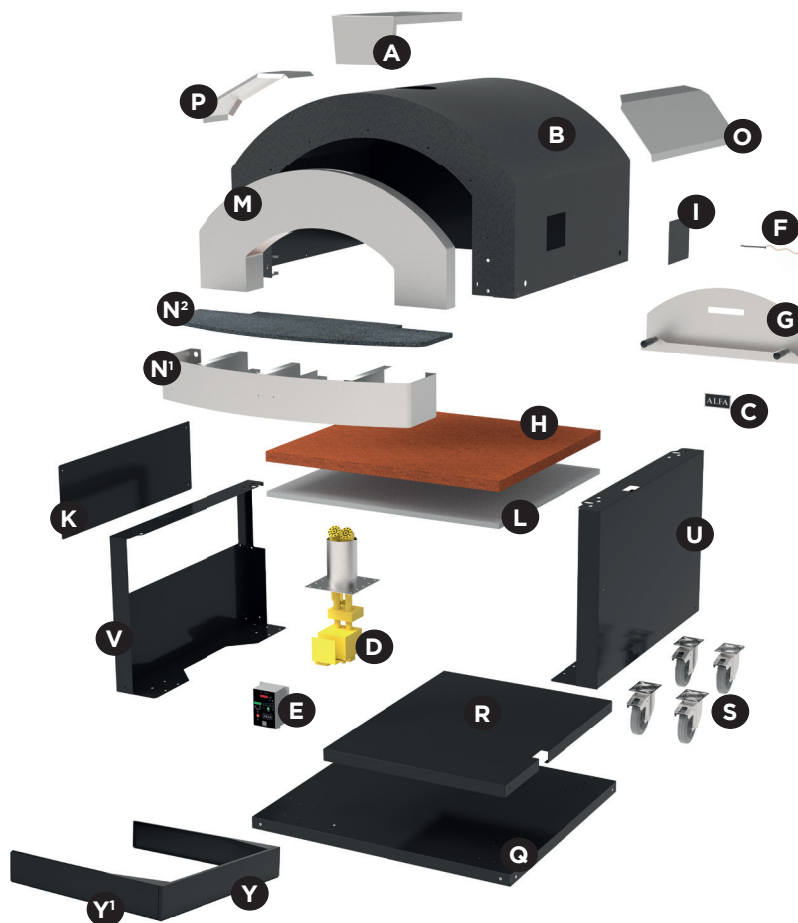


| | cm | inch | | cm | inch |
|----------|-------|------|----------|-------|------|
| A | 140 | 55,1 | N | 80,24 | 31,6 |
| B | 158 | 62,2 | O | 65,9 | 25,9 |
| C | 86 | 33,9 | P | 35,4 | 13,9 |
| D | 100 | 39,4 | Q | 70 | 27,6 |
| E | 42,48 | 16,7 | R | 106 | 41,7 |
| F | 27,4 | 10,8 | S | 17 | 6,7 |
| G | 58 | 22,8 | T | 95,5 | 37,6 |
| H | 24 | 9,4 | U | 22,2 | 8,7 |
| I | 8 | 3,1 | V | 4,45 | 1,8 |
| K | 185,4 | 73 | W | 120 | 47,2 |
| L | 18 | 7,1 | Z | 124 | 48,8 |
| M | 35,79 | 14,1 | | | |



| PACKAGING Q6P | | | | |
|------------------------|--------------------|---------------------|-------------------|-------------------|
| Dimensione imballo Q6P | | | | |
| | Width Larghezza | Depth Profondità | Height Altezza | Weight Peso |
| cm | 162 | 172 | 205 | kg 644,5 |
| inch | 63,7 | 67,7 | 80,7 | lbs 1420,9 |

| Description Descrizione | Code Codice |
|--|----------------------------------|
| Flange Flangia | A R-FLG-2-006 |
| External shell Carter esterno | B* R-CRT-1-038 |
| Logo Alfa (v1.0) | C D14PLAC-ALFA |
| KIT GAS | D R-GAS03001000 |
| Control unit Centralina comando | E C32SOND-D2 |
| Temperature probe Sonda temperature | F R-DRAGOCON |
| Door Sportello | G R-SPT-1-003 |
| Red bricks 40x40 cm Mattoni 40x40 cm | H R-RAA4040 |
| Probe shell Carter sonda | I** CRT-2-121 |
| Side gas cover Carter laterale Gas | K R-CRT-2-121 |
| Skamotek | L Skamotek |
| Arch Archetto | M R-ARC-1-021 |
| Stainless steel sill Davanzale acciaio Inox | N' R-DVZ-1-018 |
| Lava stone sill Davanzale in pietra lavica | N² DVZ02000700 |
| Shield | O R-CMB-2-125 |
| Shield Gas Quick 6 | P R-CMB-2-109 |
| Lower base shelf Ripiano Base inferiore | Q R-BAS-1-021 |
| Upper base shelf Ripiano Base superiore | R R-BAS-1-024 |
| Basic castors with brakes Ruote Base con freno | S R-RTE03000100 |
| Lateral base right Gas Laterale Base Dx Gas | U R-BAS-1-023 |
| Lateral base left Gas Laterale Base Sx Gas | V R-BAS-1-022 |
| Front wheel covers Copri-ruote frontale | Y R-BAS02006300 |
| Side wheel covers Copri-ruote laterale | Y' R-BAS02006200 |



| | Silver Grey | Black | Antique Red | Blue | Sideral Green | Copper |
|------------|-----------------|-----------------|-----------------|-----------------|-----------------|-----------------|
| B* | R-CRT-1-038-GRI | R-CRT-1-038-NER | R-CRT-1-038-ROA | R-CRT-1-038-BLU | R-CRT-1-038-VES | R-CRT-1-038-RAM |
| I** | CRT-2-121-GRI | CRT-2-121-NER | CRT-2-121-ROA | CRT-2-121-BLU | CRT-2-121-VES | CRT-2-121-RAM |