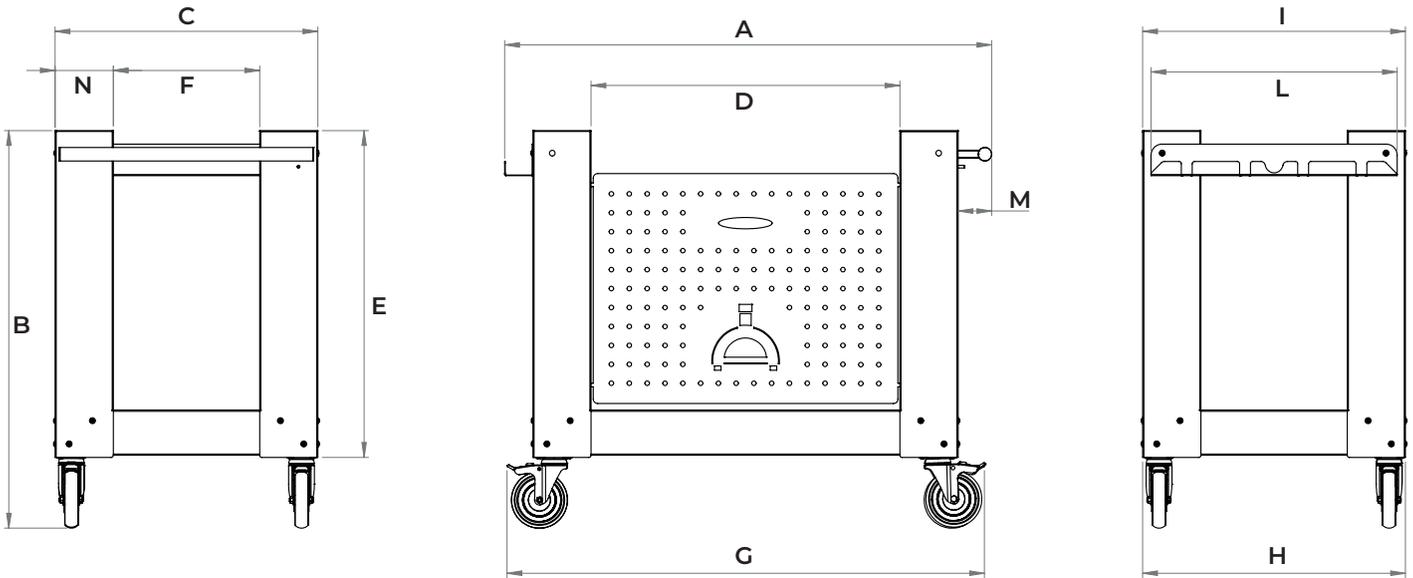




# BASE 2 PIZZE

Data Sheets - Scheda Tecnica



	cm	inch		cm	inch		cm	inch		cm	inch
<b>A</b>	109	42.9	<b>D</b>	69	27.1	<b>G</b>	106.6	42	<b>L</b>	55	21.6
<b>B</b>	88	34.6	<b>E</b>	72.5	28.5	<b>H</b>	58.7	23.1	<b>M</b>	7.5	3
<b>C</b>	58.7	23.1	<b>F</b>	32.7	12.9	<b>I</b>	58.7	23.1	<b>N</b>	13	5

PACKAGING					
DIMENSIONE IMBALLO					
	Width	Depth	Height	Weight	
	Larghezza	Profondità	Altezza	Peso	
cm	97	72.5	14	kg	31.5
inch	38.2	28.5	5.5	lbs	69.4

**BLACK**  
BF-2P-NER

**Weight**  
Peso **29.5 kg**  
**65 lbs**

**Materials**  
Materiali **Iron sheet, Ceramic fiber**  
Lamiera ferro, Fibroceramica

Description		Code
Descrizione		Codice
<b>Base</b> Ripiano	<b>A</b>	BAS-2-037-NER
<b>Legs</b> Gambe	<b>B</b>	BAS-2-020-NER
<b>Panel</b> Pannello	<b>C</b>	SML-2-026-G
<b>Wheels</b> Ruote	<b>D</b>	D14RU-125FRGN
<b>Wheel Support</b> Supporto Ruote	<b>E</b>	BAS-3-1001-NER
<b>Peel and Door holder</b> Porta Pale e Porta Sportello	<b>F</b>	BAS-2-042-NER
<b>Screws and Caps</b> Viti e Tappini	<b>G</b>	SETVITI-BASE2P
<b>Handle</b> Maniglia	<b>H</b>	D14MAN-37821

